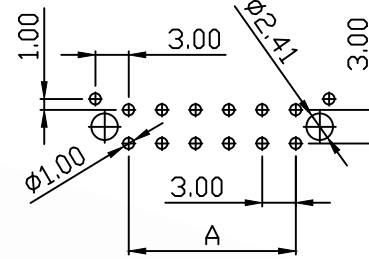
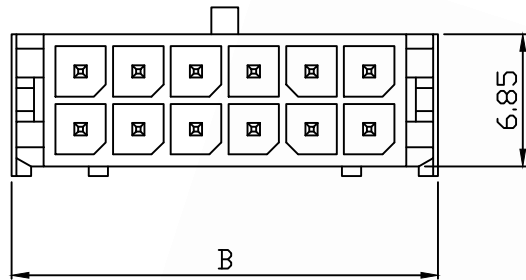
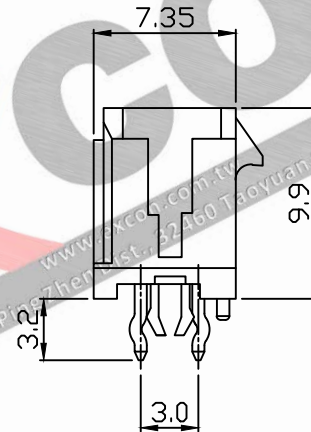
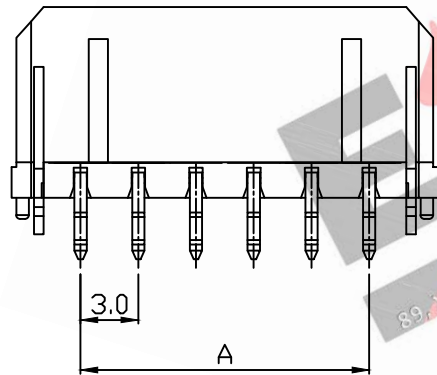
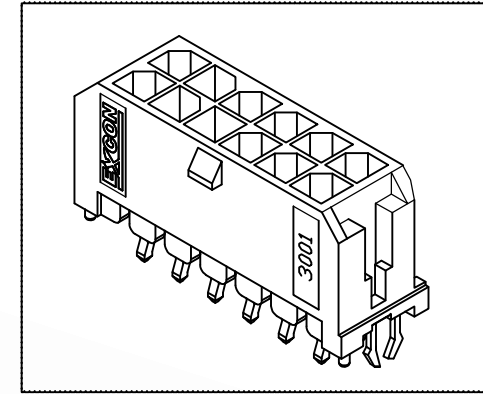


PART NO. 3001xxWS003
 DWG NO. C3001WS



RECOMMENDED PCB LAYOUT
 (PCB T=1.0~1.6mm)



Dimensional & Ordering Information:

Part No.		Circuits	Dim A	Dim B
LCP	NY 66	2	--	6.65
300102WS103	300102WS003	2	--	6.65
300104WS103	300104WS003	4	3.0	9.65
300106WS103	300106WS003	6	6.0	12.65
300108WS103	300108WS003	8	9.0	15.65
300110WS103	300110WS003	10	12.0	18.65
300112WS103	300112WS003	12	15.0	21.65
300114WS103	300114WS003	14	18.0	24.65
300116WS103	300116WS003	16	21.0	27.65
300118WS103	300118WS003	18	24.0	30.65
300120WS103	300120WS003	20	27.0	33.65
300122WS103	300122WS003	22	30.0	36.65
300124WS103	300124WS003	24	33.0	39.65

NOTE:

1. Wafer Material: Nylon 66 or LCP
Pin/Pos Material: brass bronze.
2. Plated: Tin-plated 50u"min.
3. Insulation resistance: 1000MΩ min.
4. Withstand voltage: 1500V AC/minute.
5. Current rating: 5A AC/DC.
6. Voltage rating: 250V AC/DC

REV.	REVISION		DIS	DATE
SCALE	REV.	PAGE:	UNIT	mm
NONE	B	1	THIRD ANGLE PROJECTION	

UNLESS OTHERWISE SPECIFIED TOLERANCES
 3 PLACE ±0.5 ±0.10
 2 PLACE ±1.5 ±0.25
 1 PLACE ±2.0 ±0.50
 ANGLE DIM



DWG NO:		PART.NO	
C3001WS		3001xxWS003	